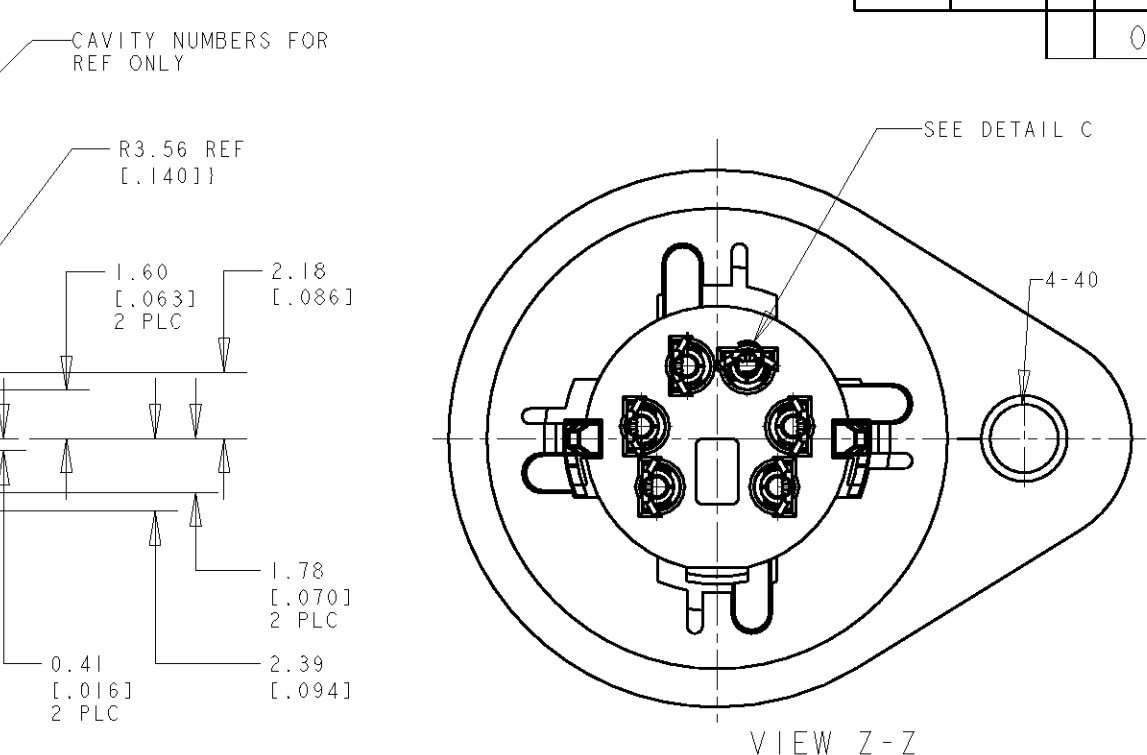
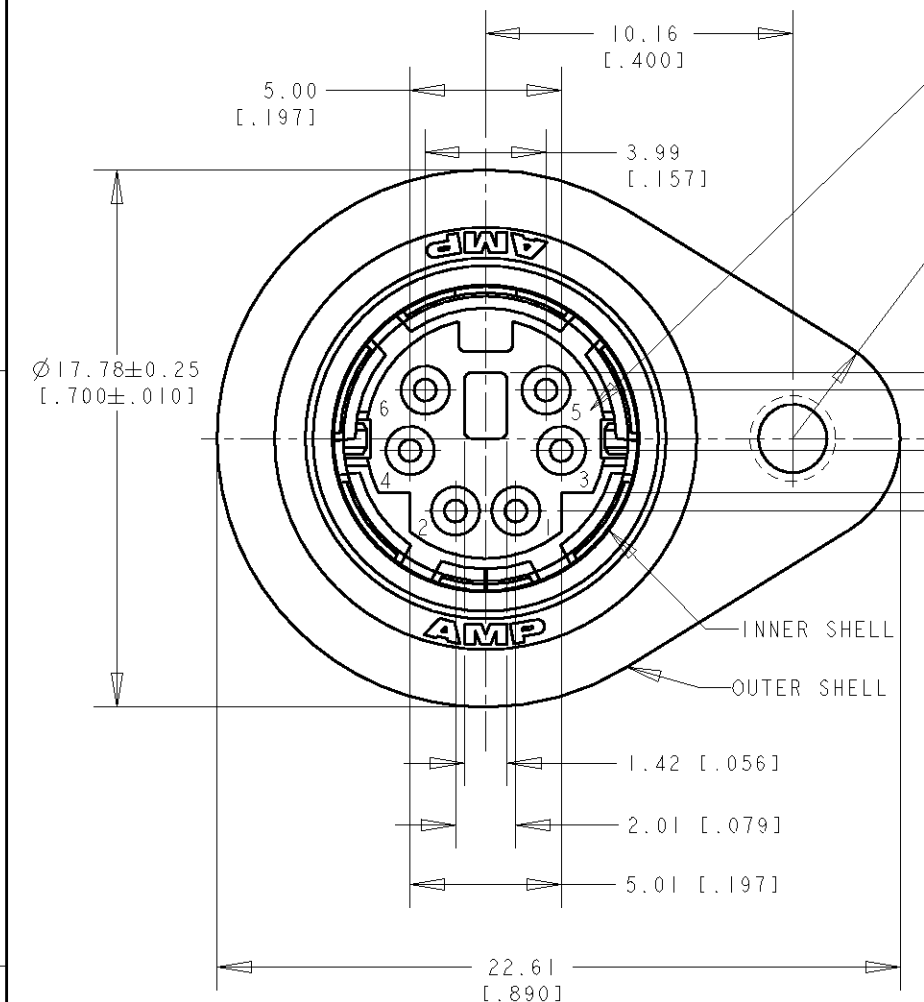
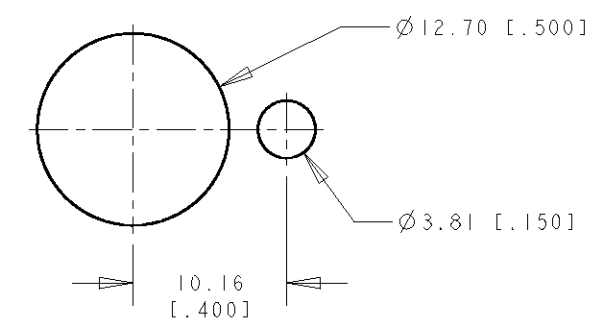
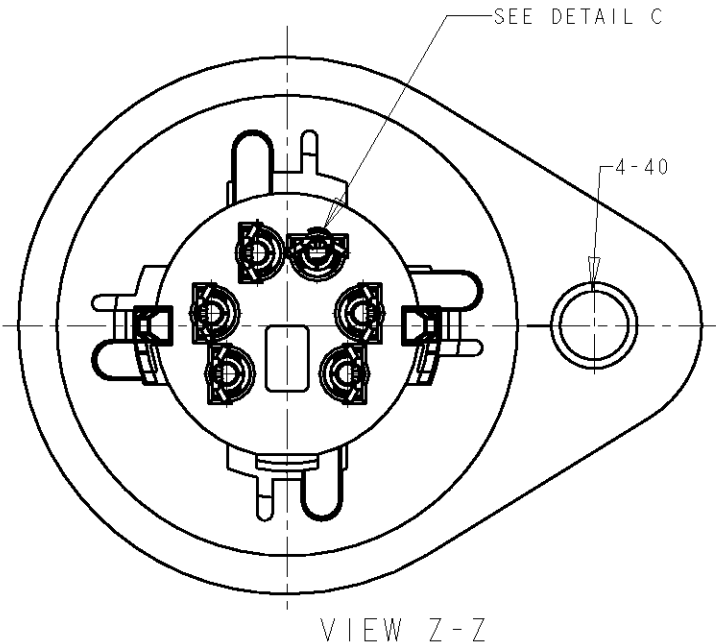


THIS DRAWING IS UNPUBLISHED. RELEASED FOR PUBLICATION .19
 © COPYRIGHT 19 BY AMP INCORPORATED. ALL RIGHTS RESERVED.

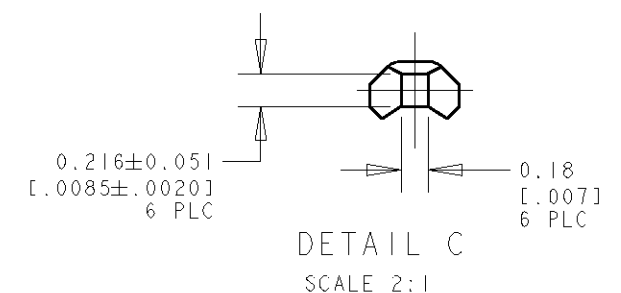
LOC	DIST	REVISIONS			
P	LTR	DESCRIPTION	DATE	DWN	APVD
DY	-	0 NPR ECR-05-008261	21JUN05	LWY	SYJ



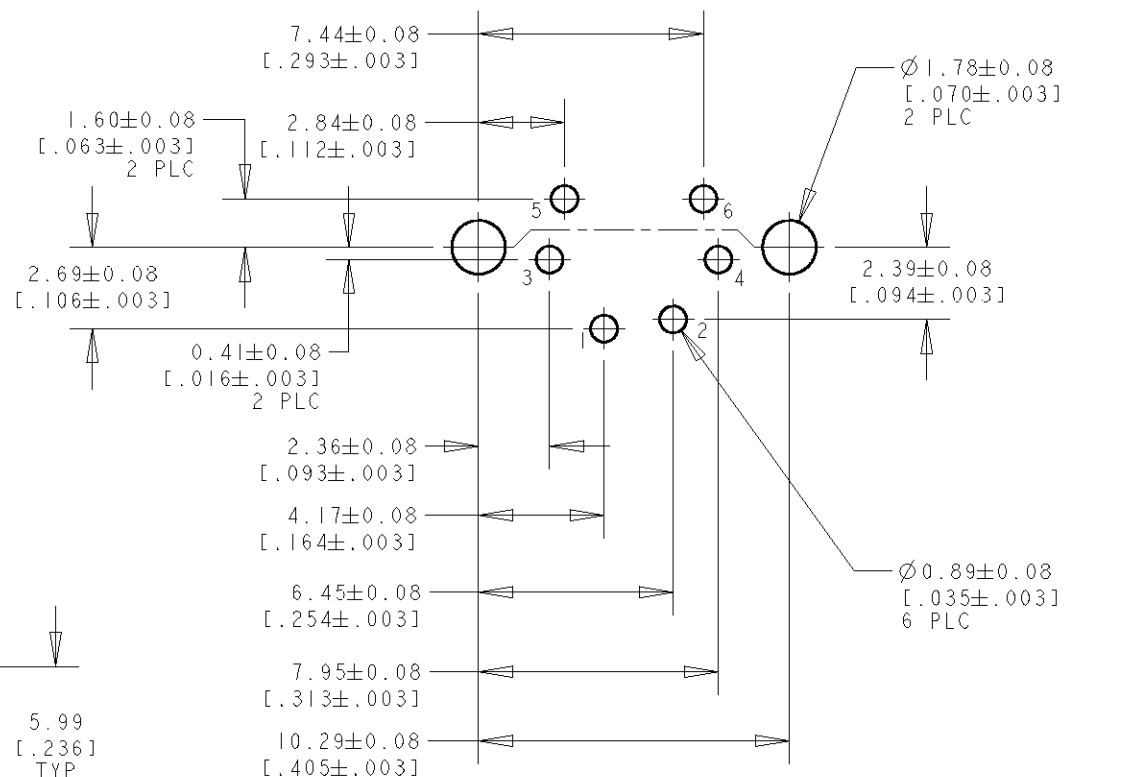
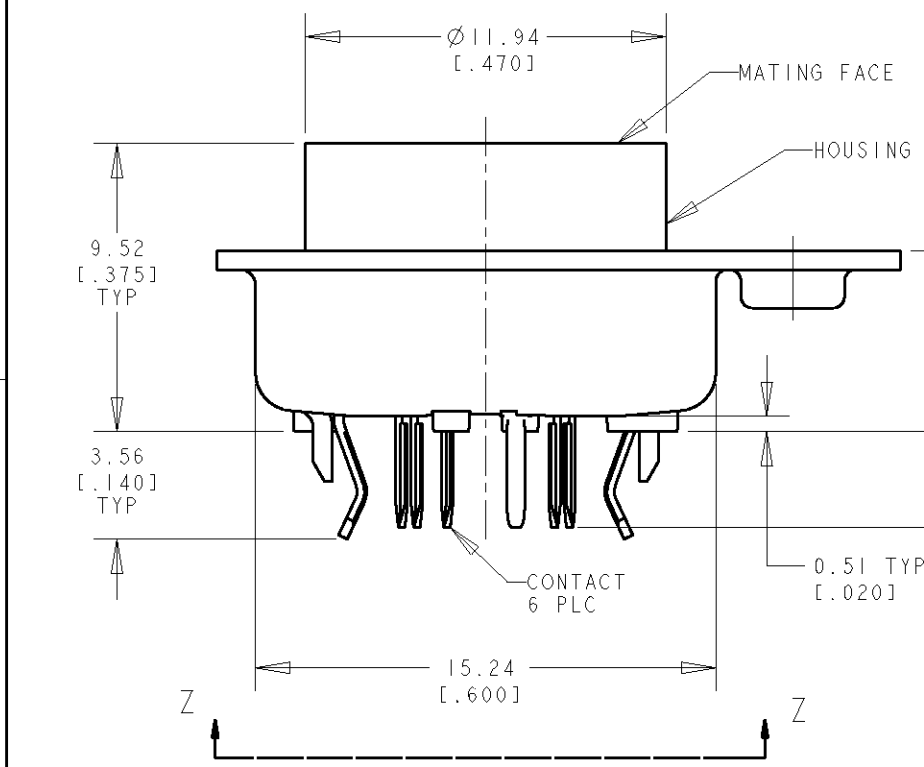
- NOTES:
- 1 SHELLS: BRASS
CONTACTS: PHOSPHOR BRONZE
HOUSING: POLYESTER, UL 94V-0 RATED, BLACK
 - 2 0.76um [0.00030] MIN GOLD ON MATING END FOR A LENGTH OF 1.37[0.054] MIN ON INSIDE, 2.540um [0.000100] MIN TIN FOR A LENGTH OF 3.30um [0.130] MIN FROM OPPOSITE END, ALL OVER 1.27um [0.000050] MIN NICKEL.
 - 3 2.54um [0.000100] MIN TIN OVER 1.27um [0.000200] MIN NICKEL OR COPPER.
 - 4 3.81um [0.000150] MIN TIN OVER 2.54um [0.000050] MIN COPPER.
 - 5. RECEPTACLE ASSEMBLY MATES WITH 6 PIN, Ø8.99±0.10 [0.354±0.004] PLUG.



PANEL CUT-OUT LAYOUT
SCALE 2:1



DETAIL C
SCALE 2:1



RECOMMENDED PC BOARD LAYOUT
BOTTOM VIEW

4	3	2	5750131-2
OUTER SHELL FINISH	INNER SHELL FINISH	CONTACT FINISH	PART NO.

THIS DRAWING IS A CONTROLLED DOCUMENT FOR AMP INCORPORATED. IT IS SUBJECT TO CHANGE AND THE CONTROLLING ENGINEERING ORGANIZATION SHOULD BE CONTACTED FOR THE LATEST REVISION.		DWN WY LEE 21JUN2005	Tyco Electronics Singapore Pte. Ltd.
DIMENSIONS: mm [INCHES]		CHK YJ SEE	
TOLERANCES UNLESS OTHERWISE SPECIFIED:		APVD SF L FONG	NAME RECEPTACLE ASSEMBLY, 6 POSITION, LOW FLANGE, SHIELDED, VERTICAL MOUNT, MINIATURE CIRCULAR DIN, LF
0 PLC ± 1 PLC ± 2 PLC ±0.13 [0.005] 3 PLC ± 4 PLC ± ANGLES ±		PRODUCT SPEC -	
MATERIAL	FINISH	APPLICATION SPEC -	SIZE A3
	SEE TABLE	WEIGHT -	CAGE CODE 00779
		CUSTOMER DRAWING	DRAWING NO 5750131
			SCALE 5:1 SHEET 1 OF 1 REV 0